

All in One Outdoor LED Series

Gelb 26w

All in One Outdoor LED Wallpack

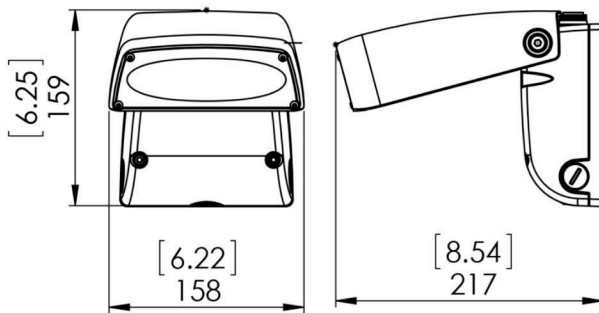


2411 45th St, Astoria, NY

Tel (718) 956-3095

mike@gelblighting.com

www.gelblighting.com



Easy installation with hands free mounting

- Install back plate with gasket
- Hang front of fixture on L/R bracket
- Wire Fixture through selected conduit
- Bolt fixture to back plate
- Adjust LED housing to 0°-90° degrees

- IP66 rated
- High power Citizen COB LED's
- High quality die cast housing
- Dark sky compliant mounting



Metrics



Luminaire Performance

Wattage	26W
Replace MH Equivalent	150W
Delivered Lumens	2346lm
Input Voltage	100-277 Vac
Color Temperature	5300K optimal 4000K
Color Rendering Index	65 optimal 80K
Lamp Life	>50,000Hrs approx.17 years (typical 8 hour Daily usage)

Working Temperature -30 to 40° C

Electrical Measurement

Input Voltage (V)	120
Frequency	60
Input Current	0.25
Power	29
Power Factor	> 0.9

Testing and Listings

- UL/ cUL
- DLC
- LM-79
- Lighting facts

