

## COMMERCIAL TWO LAMP

Premium Strip Fixture

### FEATURES

Flip-up socket bars.

Continuous raceway and row mounting capability.

Surface, stem, or chain mountable.

Uses T8 or T12 lamps.

Steel housing and ends with white enamel finish.

Available in aluminum, for salty or corrosive environments.



### APPLICATIONS

Retail Stores

Canopies

Manufacturing Areas

Parking Garages

Stairwells

Warehouse Areas

Warehouse Aisles

Coves

Utility Area

Valances

Large Storage Rooms

Display

### APPLICATION FEATURES

Mid-grade, fluorescent strip fixture. For use in indoor applications where low cost, but industrial grade ruggedness is required. Socket bar flips up for easy installation. Available in lengths from 15 to 96 inches. Converts to raceway for continuous row mounting.

### CONSTRUCTION

Die and brake formed, code gauge pre-painted white cold rolled steel. Screw fastened end plates can be repositioned to serve as joiners for continuous row mounting, thus forming a continuous, uninterrupted wireway (on non-welded units only). Single wireway cover on non-tandem units. Knockouts are provided for flexible conduit attachment.

### MOUNTING

Knock-outs are provided for stem mounting. Mounting holes are provided. Optional V (speedy) hangers accommodate chain (sold separately).

### FINISH

Pre-painted high reflectance white.

### ELECTRICAL

All electrical components are UL listed or CSA approved. Lamp holders provided ensure positive lamp retention. Lamp holders with rotary locks are available. Sufficient knockouts are provided on the back and ends for connections and through wiring.

### APPROVALS

Approved to CSA and UL standards. (UL, or equivalent, marked only when specified.)

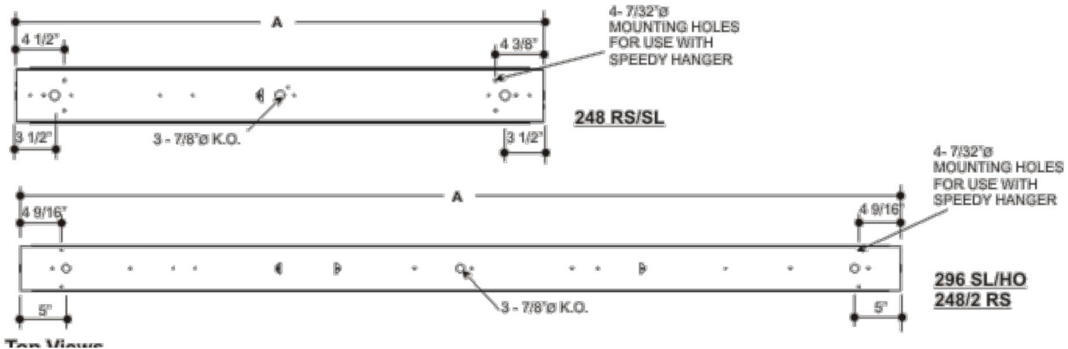
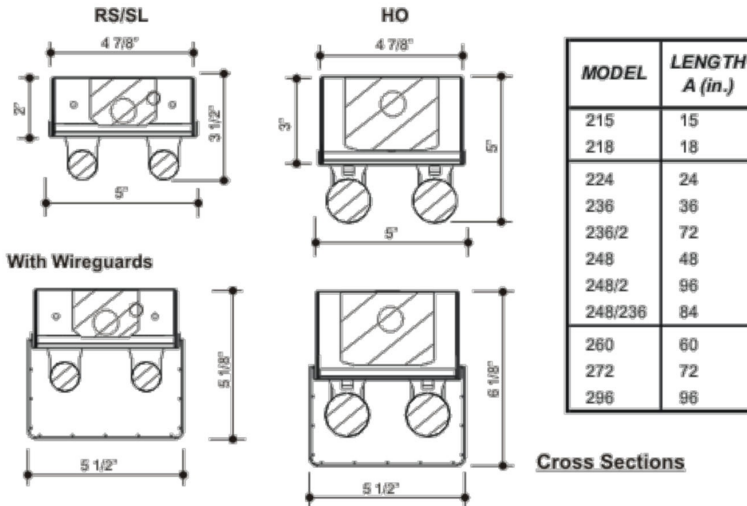
### OPTIONS

- 20 gauge riveted construction.
- 20 gauge welded construction.
- Aluminum construction.
- Dimmable ballasts, see product selection.
- Polycarbonate rotary lock lampholders.
- Individual & custom packaging (select models only).

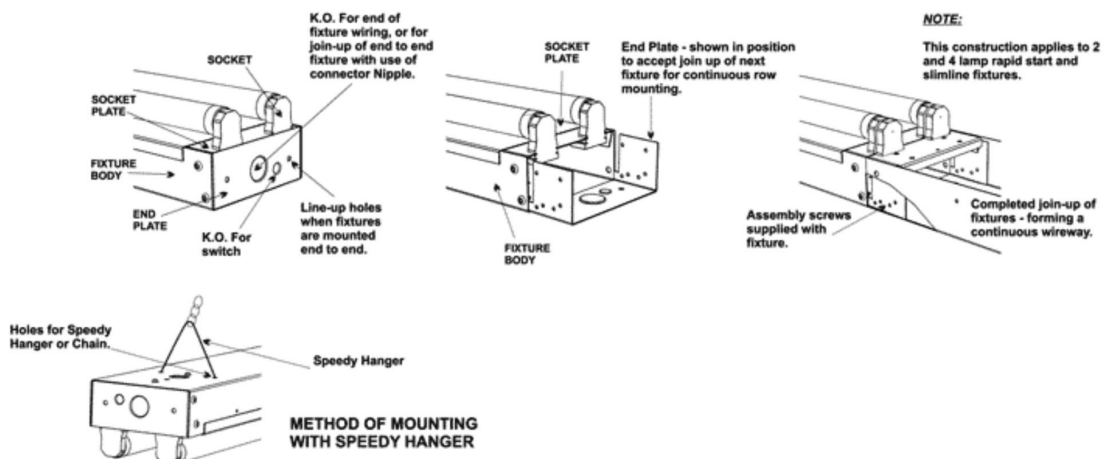
### OPTIONAL ADDERS

- Fuse holder.
- Convenience outlet.
- Pull chain switch
- Turn switch
- Toggle switch.
- Heavy duty wire guards powder coated white finish, comes with mounting hardware.
- Light duty wire guards galvanized finish, comes with mounting hardware.
- Light duty wire guards powder coated white finish, comes with mounting hardware.
- Speedy hangers.

## PRODUCT DIMENSIONS



### METHOD OF ASSEMBLY FOR CONTINUOUS ROW MOUNTING



## PRODUCT KEY

COM	2	48	-	T8	32	P	120	-		Options
-----	---	----	---	----	----	---	-----	---	--	---------

**No. Of Lamps**  
Typical Number of lamps in Cross Section  
2

**Nom. Length (in.)**  
18  
24  
36  
48  
60  
72  
96

**Lamp Type**  
T8  
T8HO  
T12SL  
T12HO

**Lamp Watts**  
See Table below

**Voltage**  
120 - 120V  
240 - 240V  
277 - 277V  
347 - 347V  
600 - 600V  
UNV - 120-277V  
UN2 - 277-347V  
UN4 - 347-480V

**No. of Lamps Option (in Cross Section)**  
(Blank) - N/A  
1L - 1 lamp  
3L - 3 lamps.

**Ballast Type**  
N - Instant Start  
P - Prog. Start  
R - Rapid Start

**Ballast Options**

- B01 Ballast Disconnect - In-line Power Disconnect (CSA-UL Req'd For Voltages above 150v)
- B02 Dimming Addressable Digital (dali)
- B03 Dimming Low Voltage
- B04 Dimming Line Voltage
- B05 Frequency Universal DC-60hz
- B06 Low Temperature
- B08 Ballast - High Ballast Factor
- B09 Ballast - Low Ballast Factor

**Housing Construction Options (select one only)**

- C06 Housing 20 Gauge Riveted
- C07 Housing 20 Gauge Welded
- C08 Housing Aluminum

**Lampholder Options**

- H4 Lampholder Rotary Lock

**Packaging Options (select one only)**

- K0 Pack Bulk
- K1 Pack Single

**Mounting Options**

- M23 Mounting Speedy Hanger
- M30 Mounting Suspension Set (speedy hangers with 48-in chains)

**Switch Options (select one only)**

- S1 Switch Pull-chain
- S5 Switch Toggle
- S6 Switch Turn

**Fusing and Breaker Options (select one only)**

- T5 Fuseholder, In-line Double Pole
- T6 Fuseholder, In-line Single Pole

**Tandem**  
(Blank) - N/A  
/2 - Single Housing  
/36 - Single Housing Add 36"  
T2 - Two Disjointed Housings

**Wiring Options**

- V02 Convenience Outlet
- V08 Flexible Feed Cord (single circuit only)

**Wireguard Options**

- W1 Wireguard Heavy Duty Painted
- W2 Wireguard Heavy Duty Zinc Plated
- W5 Wireguard Light Duty Painted
- W6 Wireguard Light Duty Zinc Plated

**Approval and Rating Options**

- X6 USA Market

**Lamp Watts**

Length	Nominal Lamp Watts			Lamp Length (in)	
	T8	T8HO	T8VHO	T12SL	T12HO
18	14	-	-	-	-
24	17	-	-	-	-
36	25	-	-	-	-
48	32	44	84	-	-
60	40	55	-	60	60
72	-	65	-	72	72
96	59	86	-	96	96