

COMMERCIAL ONE LAMP

Premium Strip Fixture

FEATURES

Flip-up socket bars.

Continuous raceway and row mounting capability.

Surface, stem, or chain mountable.

Uses T8 or T12 lamps.

Uses T5 pre-heat lamps.

Steel housing and ends with white enamel finish.

Available in aluminum, for salty or corrosive environments.

APPLICATIONS

Canopies

Manufacturing Areas

Parking Garages

Stairwells

Warehouse Areas

Warehouse Aisles

Coves

Utility Area

Valances

Large Storage Rooms

Display



APPLICATION FEATURES

Premium-grade, fluorescent strip fixture. For use in indoor applications where low cost, but industrial grade ruggedness is required. Socket bar flips up for easy installation. Available in lengths from 6 to 96 inches. Converts to raceway for continuous row mounting.

CONSTRUCTION

Die and brake formed, code gauge pre-painted white cold rolled steel. Screw fastened end plates can be repositioned to serve as joiners for continuous row mounting, thus forming a continuous, uninterrupted wireway. (On non welded units and on units over 14 inches only.) Single wireway cover on non-tandem units. Knockouts are provided for flexible conduit attachment.

MOUNTING

Knock-outs are provided for stem mounting. Mounting holes are provided.

FINISH

Pre-painted high reflectance white.

ELECTRICAL

All electrical components are UL listed or CSA approved. Lamp holders provided ensure positive lamp retention. Lamp holders with rotary locks are available. See product selection for optional ballasts. The standard voltage is 120V. Other voltage and frequency ratings are also available. Sufficient knockouts are provided on the back and ends for connections and through wiring.

APPROVALS

Approved to CSA and UL standards. (UL, or equivalent, marked only when specified.)

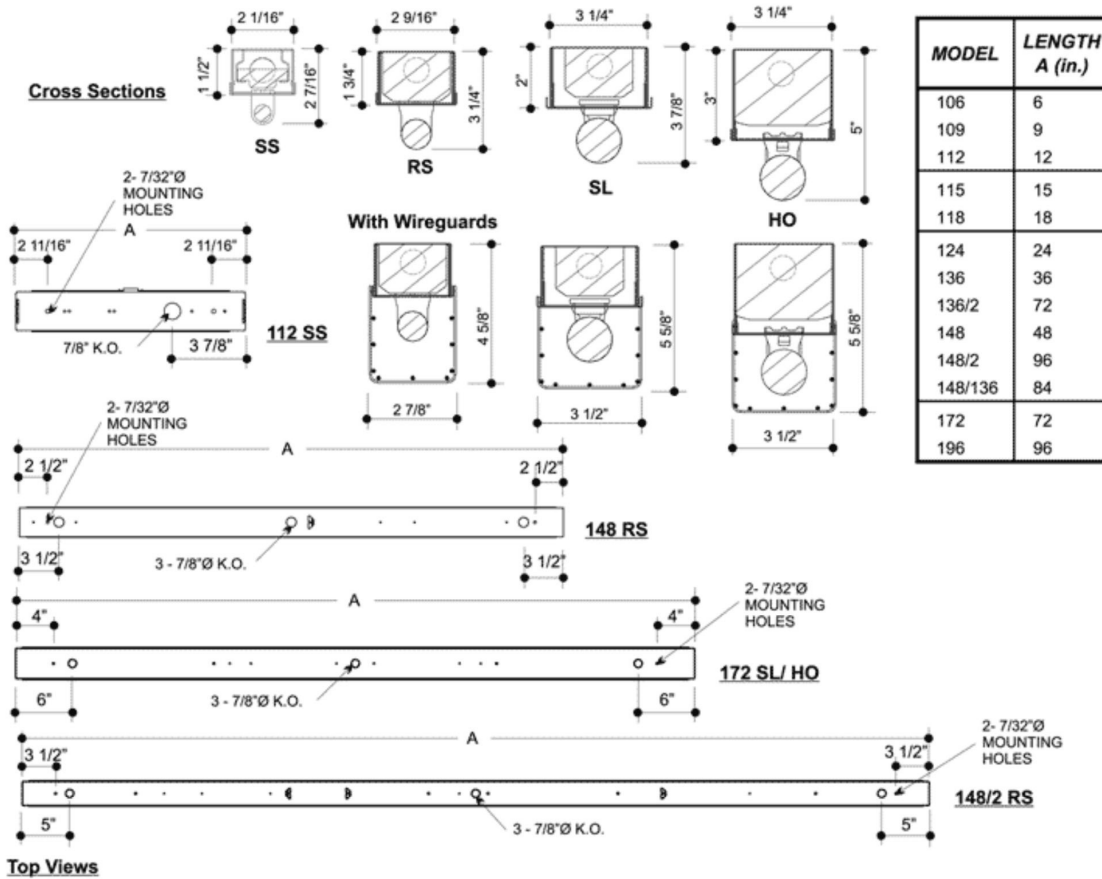
OPTIONS

- 20 gauge riveted construction.
- 20 gauge welded construction.
- Aluminum construction.
- Dimmable ballasts, see product selection.
- Polycarbonate rotary lock lampholders.
- Individual & custom packaging (select models only).

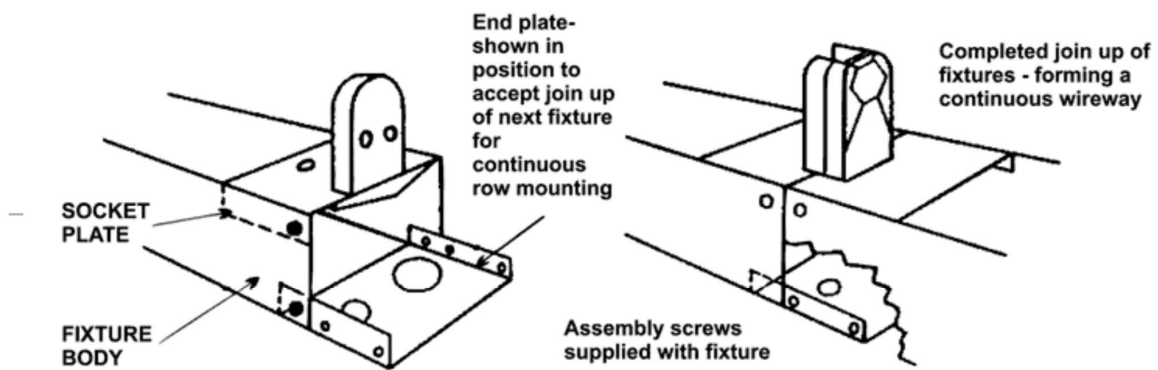
OPTIONAL ADDERS

- Fuse holder.
- Convenience outlet.
- Pull chain switch
- Turn switch
- Toggle switch.
- Heavy duty wire guards powder coated white finish, comes with mounting hardware.
- Light duty wire guards galvanized finish, comes with mounting hardware.
- Light duty wire guards powder coated white finish, comes with mounting hardware.

PRODUCT DIMENSIONS



METHOD OF ASSEMBLY FOR CONTINUOUS MOUNTING



PRODUCT KEY

COM	1	48	-	T8	32	P	120	-		Options
-----	---	----	---	----	----	---	-----	---	--	---------

No. Of Lamps
Typical Number of lamps in Cross Section
1

Nom. Length (in.)
06
09
12
15
18
24
36
48
60
72
96

Lamp Type
T5
T8
T8HO
T8VHO
T12SL
T12HO

Lamp Watts
See Table below

Ballast Type
N - Instant Start
P - Prog. Start
R - Rapid Start
S - Switch Start

Voltage
120 - 120V
240 - 240V
277 - 277V
347 - 347V
600 - 600V
UNV - 120-277V
UN2 - 277-347V
UN4 - 347-480V

No. of Lamps Option (in Cross Section)
(Blank) - N/A
2L - 2 lamp

Tandem
(Blank) - N/A
/2 - Single Housing
/36 - Single Housing
Add 36"
T2 - Two Disjointed Housings
T3 - Three Disjointed Housings
T4 - Four Disjointed Housings
/2T2 - Two Tandem-Disjointed Housings

Ballast Options

- B01 Ballast Disconnect - In-line Power Disconnect (CSA-UL Req'd For Voltages above 150v)
- B02 Dimming Addressable Digital (dali)
- B03 Dimming Low Voltage
- B04 Dimming Line Voltage
- B05 Frequency Universal DC-60hz
- B06 Low Temperature
- B08 Ballast - High Ballast Factor
- B09 Ballast - Low Ballast Factor

Housing Construction Options (select one only)

- C06 Housing 20 Gauge Riveted
- C07 Housing 20 Gauge Welded
- C08 Housing Aluminum

Lampholder Options

- H4 Lampholder Rotary Lock

Packaging Options (select one only)

- K0 Pack Bulk
- K1 Pack Single

Mounting Options

- M23 Mounting Speedy Hanger
- M30 Mounting Suspension Set (speedy hangers with 48-in chains)

Switch Options (select one only)

- S1 Switch Pull-chain
- S5 Switch Toggle
- S6 Switch Turn

Fusing and Breaker Options (select one only)

- T5 Fuseholder, In-line Double Pole
- T6 Fuseholder, In-line Single Pole

Wiring Options

- V02 Convenience Outlet
- V08 Flexible Feed Cord (single circuit only)

Wireguard Options (select one only)

- W1 Wireguard Heavy Duty Painted
- W2 Wireguard Heavy Duty Zinc Plated
- W5 Wireguard Light Duty Painted
- W6 Wireguard Light Duty Zinc Plated

Approval and Rating Options

- X6 USA Market

Lamp Watts

Length	Nominal Lamp Watts				Lamp Length (in)	
	T5	T8	T8HO	T8VHO	T12SL	T12HO
06	4	-	-	-	-	-
09	6	-	-	-	-	-
12	8	-	-	-	-	-
15	-	14	-	-	-	-
18	-	15	-	-	-	-
24	-	17	-	-	-	-
36	-	25	-	-	-	-
48	-	32	44	84	-	-
60	-	40	55	-	60	60
72	-	-	65	-	72	72
96	-	59	86	-	96	96