

# Q R SERIES

ARCHITECTURAL  
STYLING

Q U A Z A R

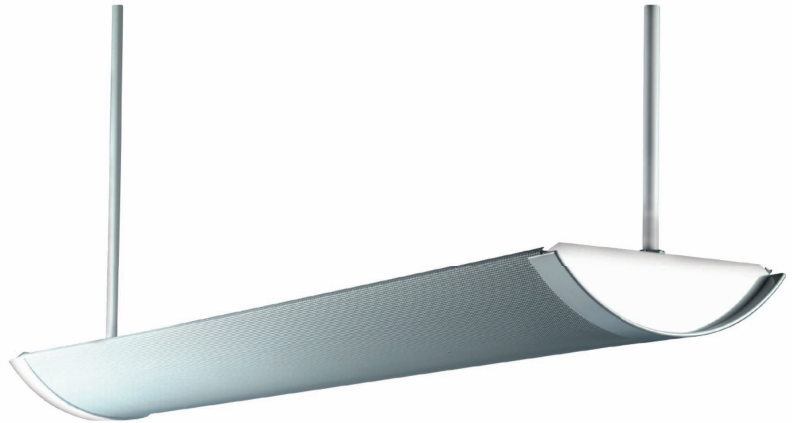
PENDANT MOUNT  
DIRECT / INDIRECT

Job Name

Catalog Number

Notes

Type



## *application*

- Stylish, clean-lined luminaire, perfect for schools, offices and other spaces utilizing video display terminals or locations requiring a visually comfortable environment
- Able to be cable, or stem mounted individually or in continuous rows
- Available in 2 and 3 light, multiple lengths and numerous lamp/ballast combinations

## *construction*

- The QR series is a premium grade of fluorescent luminaire specifically designed for long-term, dependable service with the benefits of indirect lighting
- Features durable steel bodies, quality paint finishes and superior electrical components
- Manufactured from code gauge steel for premium strength and rigidity
- Features a direct/indirect wide beam perforated diffuser for uniform ceiling illumination for a glowing, low brightness luminance
- Suspension mount options to suit your application; standard stem & canopies or aircraft cable
- All fixtures are U.L. listed and IBEW union made

## *electrical*

- All electrical components are U.L. listed
- Electronic Class P, thermally protected ballasts standard
- Numerous options are available, Biax, T8 electronic, dimming; see ordering information on back

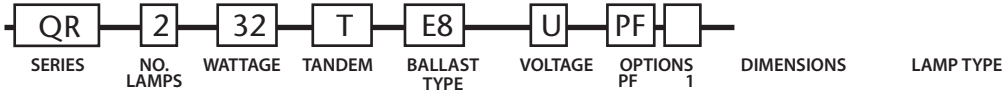
## *finish*

- Prior to painting, all metal parts are treated with a multi-stage phosphate bonding process to ensure adhesion and inhibit rusting
- Powder coated with lighting grade white, having a reflectance factor exceeding 87% for premium quality and durability
- Custom colors are available, consult factory for minimum quantities and lead-time

## ordering guide

NOTE: SOME ORDERING OPTIONS APPEAR ON PRODUCT LINE.  
 FOR OTHER OPTIONS, SEE LIST AT RIGHT.

SAMPLE ORDER NUMBER



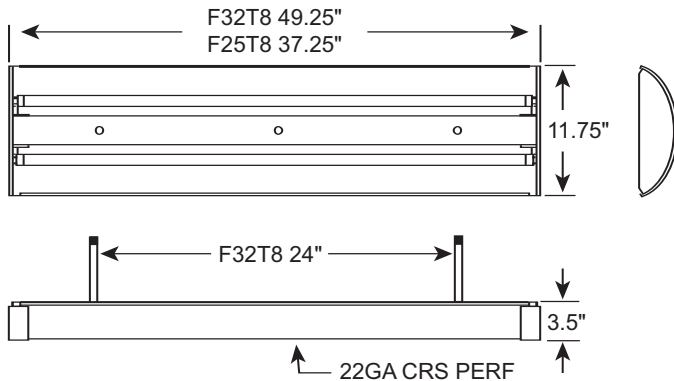
T-8 ORDERING GUIDE									
QR	2, 3	25		E8	1, U	PF		11 3/4" x 37 1/4"	F25T8
QR	2, 3	32		E8	1, U	PF		11 3/4" x 49 1/4"	F32T8
QR	2, 3	25	T	E8	1, U	PF		11 3/4" x 73 1/4"	F25T8
QR	2, 3	32	T	E8	1, U	PF		11 3/4" x 97 1/4"	F32T8
T-5 ORDERING GUIDE									
QR	2, 3	21/39		E5, H5	1, U	PF		11 3/4" x 37 1/4"	F21T5/F39T5HO
QR	2, 3	28/54		E5, H5	1, U	PF		11 3/4" x 49 1/4"	F28T5/F54T5HO
QR	2, 3	21/39	T	E5, H5	1, U	PF		11 3/4" x 73 1/4"	F21T5/F39T5HO
QR	2, 3	28/54	T	E5, H5	1, U	PF		11 3/4" x 97 1/4"	F28T5/F54T5HO

Note: Tandem units contain double the amount of lamps shown

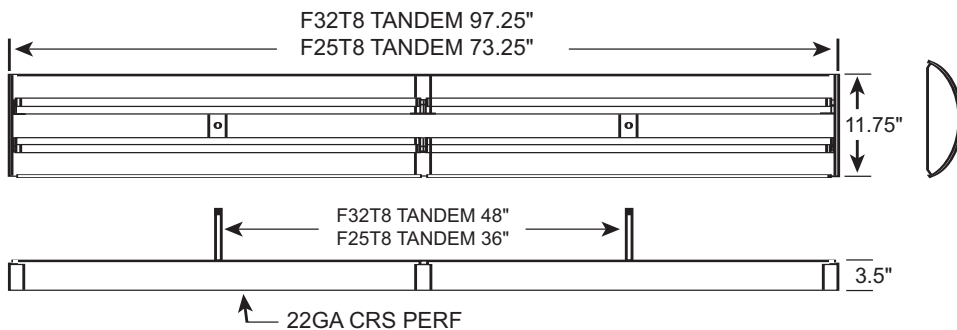
## dimensional data

NOTE: SPECIFICATIONS AND DIMENSIONAL DATA ARE SUBJECT TO CHANGE WITHOUT NOTICE.

### cross sections



T5 Dims same as T8



TANDEM UNITS (SINGLE AND CONTINUOUS RUN)

T5 DIMS SAME AS T8

NOTE: WHEN ADDING 3' OR 4' INTERMEDIATE OR END OF RUN UNITS, STEM SPACING REMAINS CONSTANT

## options

OPTIONS: INSERT APPROPRIATE CODE FOR CUSTOMIZED ORDERING

### BALLAST

- E8 Electronic T8
- E5 Electronic T5
- H5 Electronic T5 High output
- EB Electronic Biax
- ED Electronic Dimming (Consult Factory)

NOTE: In order to achieve rated lamp life, fixtures controlled by motion sensors should be ordered with programmed start ballasts when available and minimum time delay should be set to 15 minutes - Consult Factory

### VOLTAGE

- 1 120V
- U Universal 120 - 277V

### GENERAL OPTIONS

- EM Emergency pack, 1 lamp 90 min. up to 500 lu.
- 2C 2 Circuit

Note: Individual units are not suitable for continuous row mounting and cannot be field modified. For joining units together in continuous rows PLEASE Consult Factory for ordering specifications and information.

Note: When utilizing Emergency Pack and Factory Supplied Aircraft Cable please specify 4-wire supply cord.

Consult Factory for additional options not shown or listed

## accessories

### LAMP OPTIONS

- 12 T8 741K
- 15 T8 735K
- 10 T8 730K
- 13 T5/T8 841K
- 16 T5/T8 835K
- 11 T5/T8 830K

- Canopy Standard white 5" dia., 1 1/2" deep with hardware
- Stem Stem + Length needed (ie: STEM24)
- AC Aircraft cable & hardware Consult Factory for type and length