

DR SERIES

ARCHITECTURAL
STYLING
DURADO
DIRECT/INDIRECT
SUSPENDED

Job Name	
Catalog Number	
Notes	Type



*Shown with optional scoop ends

application

- Attractive and versatile T5 or T8 direct/indirect luminaire offers a broad range of lamp configurations, and may accommodate up to (4) T5 HO or 4 T8 lamps to provide maximum uplight with diffused downlight for a balanced appearance
- Suspended mount as individual units or continuous rows

finish

- Prior to painting, all metal parts are treated with a multi-stage phosphate bonding process to ensure adhesion and inhibit rusting
- All exterior parts are finished with white powder coat for durability and a clean finished appearance

construction

- The DR series is a premium grade fluorescent luminaire specifically designed for long-term, dependable service
- Features durable cold rolled steel body, semi-perforated diffuser, quality paint finish and superior electrical components
- Electrical compartment constructed from code gauge steel for premium strength and rigidity
- Utilizing interlocking ends, continuous runs of any length may be constructed
- 50" Adjustable aircraft cable kit included
- Individual units are available up to 8' in length
- All fixtures are U.L. listed and IBEW union made

electrical

- All electrical components are U.L. listed
- Electronic Class P ballasts standard
- Numerous options are available, including Emergency battery pack and dimming, see ordering information on back

baffle

- Lateral light distribution through side perforations for soft downlight
- Full indirect is available, consult factory

end caps

- Choice of flat or scoop style end caps

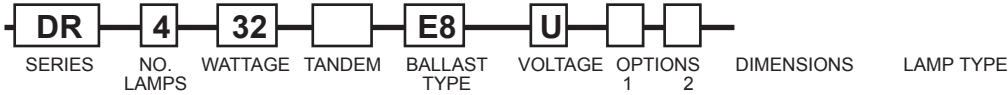
2411 45th St, Astoria, NY 11103
Phone: (718) 956-3095
Fax: (718) 956-2067
mike@gelblighting.com
www.gelblighting.com



ordering guide

NOTE: SOME ORDERING OPTIONS APPEAR ON PRODUCT LINE. FOR OTHER OPTIONS, SEE LIST AT RIGHT.

SAMPLE ORDER NUMBER



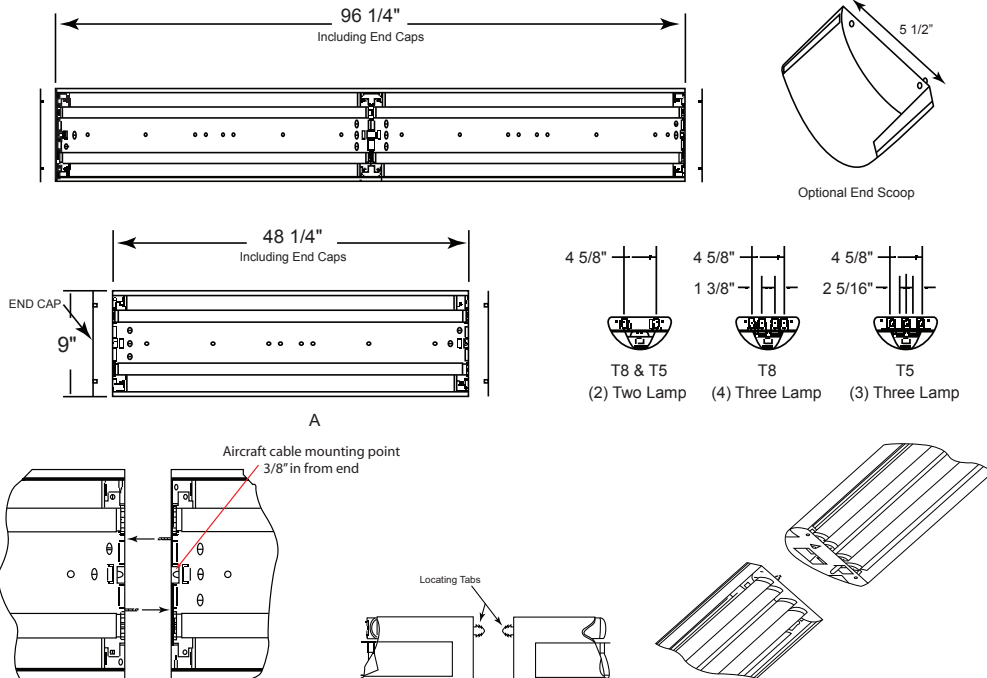
T-5 ORDERING GUIDE									
DR	2, 3, 4	28/54		E5, H5	1, U			9" x 48" x 3"	F28T5/F54T5HO
DR	2, 3, 4	28/54	T	E5, H5	1, U			9" x 96" x 3"	F28T5/F54T5HO
T-8 ORDERING GUIDE									
DR	2, 3, 4	32		E8	1, U			9" x 48" x 3"	F32T8
DR	2, 3, 4	32	T	E8	1, U			9" x 96" x 3"	F32T8

Note: Tandem units contain double the amount of lamps shown

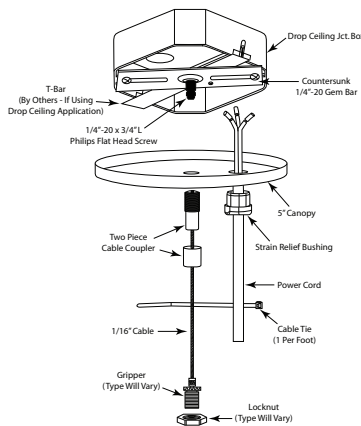
dimensional data

NOTE: SPECIFICATIONS AND DIMENSIONAL DATA ARE SUBJECT TO CHANGE WITHOUT NOTICE.

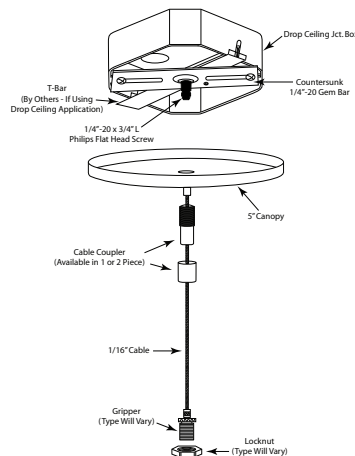
cross sections



FEED SYSTEM



NON-FEED SYSTEM



Revised 5/09

DR SERIES ARCHITECTURAL PENDANT MOUNT INDIRECT/DIRECT

options

OPTIONS: INSERT APPROPRIATE CODE FOR CUSTOMIZED ORDERING

BALLAST

- E8 Electronic T8
- PS8 Program start T8
- CE8 CEE listed high performance T8 (instant start)
- CP8 CEE listed high performance T8 (program start)
- H8 High lumen output T8
- E5 Electronic T5
- H5 Electronic T5 high output
- ED Electronic dimming (Consult Factory)

NOTE: In order to achieve rated lamp life, fixtures controlled by motion sensors should be ordered with programmed start ballasts when available and minimum time delay should be set to 15 minutes - Consult Factory

VOLTAGE

- 1 120V
- U Universal 120 - 277V

GENERAL OPTIONS

- EM Emergency pack, 1 lamp 90 min. up to 500 lu.
- 2C 2 Circuit
- SB Solid body (uplite only)
- XEFL Flat end cap (standard)
- XESC Scoop end cap

Consult Factory for additional options not shown or listed

accessories

Optional stem mount bracket - consult factory

LAMP OPTIONS

- 12 T8 741K
- 15 T8 735K
- 10 T8 730K
- 13 T5/T8 841K
- 16 T5/T8 835K
- 11 T5/T8 830K

Note: Consult factory for optional hanging hardware including Tee Bar adapters