



2X4 LED Double Basket

Model# LEDDBM4

Description

The new 2x4 LED Double Basket fixture adopts the latest in optical and LED technology for use in many commercial applications. The LEDDBM4 provides a double pleasant volumetric soft light that fills any interior space, giving it a larger, brighter, and more productive ambiance. The delivered comfortable and evenly distributed light eliminates surface shadows and ensures a glare-free environment perfect for offices, schools, multipurpose rooms, hospitals and most interior spaces.

Specification

Model	Input Power (w)	Luminous (lm)	Efficacy (lm/w)	Input Voltage (v)	Dimming
LEDDBM4	68	8410	130	120-277	0-10V
LEDDBM4	60	7840	132	120-277	0-10V
LEDDBM4	50	6180	134	120-277	0-10V
LEDDBM4	42	5130	125	120-277	0-10V
LEDDBM4	36	4480	130	120-277	0-10V

Performance Summary

Efficacy:>110LPW

Chip: LGIT 5630HE

CRI: Ra>80

CCT Options: 3000K, 3500K, 4000K, 5000K

Driver: Dimmable LED Driver(0-10V)

THD:<20%

PF:>0.9

The Driver ensures steady performance and long lifetime

Driver Efficiency>85%

Temperature Limited:The product has applied for a type TL LED driver

Standard Lifetime:Designed minimum 50,000 hours

Mounting: Recessed lighting fixture

Standard Warranty: 5 Years

The Dimming type is continuous,The product can dim to 10%

Suitable for Damp Location,Type IC

Order Information

Example: LEDDBM4

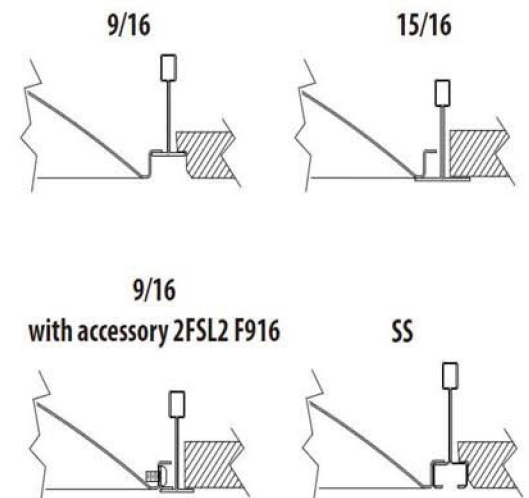
LEDDBM4	24	HL	YY	DM	4000K
Series	Size	Lumen Package	Wattage	Dimming	CCT
Direct/Indirect Type 02	2'x4'	LW=LIN-1300LM HL=LIN-2200LM	68W	0-10V	3000K 3500K 4000K 5000K



Dimension

Model	Length	Width	Depth
LEDDBM4	47.76"	23.78"	2.9"
LEDDBM4	47.76"	23.78"	2.9"

Installation



Wiring Diagram

