



# 2X2 LED Double Basket

Model# LEDDBM2

## Description

The new 2x2 LED Double Basket fixture adopts the latest in optical and LED technology for use in many commercial applications. The LEDDBM2 provides a double pleasant volumetric soft light that fills any interior space, giving it a larger, brighter, and more productive ambiance. The delivered comfortable and evenly distributed light eliminates surface shadows and ensures a glare-free environment perfect for offices, schools, multipurpose rooms, hospitals and most interior spaces.

## Specification

Model	Input Power (w)	Luminous (lm)	Efficacy (lm/w)	Input Voltage (v)	Dimming
LEDDBM2	34	4125	125	120-277	0-10V
LEDDBM2	30	3750	127	120-277	0-10V
LEDDBM2	26	3460	130	120-277	0-10V
LEDDBM2	24	2890	125	120-277	0-10V
LEDDBM2	18	2186	127	120-277	0-10V

## Performance Summary

Efficacy:>110LPW

Chip: LGIT 5630HE

CRI: Ra>80

CCT Options: 3000K, 3500K, 4000K, 5000K

Driver: Dimmable LED Driver(0-10V)

THD:<20%

PF:>0.9

The Driver ensures steady performance and long lifetime

Driver Efficiency>85%

Temperature Limited:The product has applied for a Type TL LED driver

Standard Lifetime:Designed minimum 50,000 hours

Mounting: Recessed lighting fixture

Standard Warranty: 5 Years

The Dimming type is continous,The product can dim to 10%

Suitable for Damp Location,Type IC

## Order Information

Example: LEDDBM2

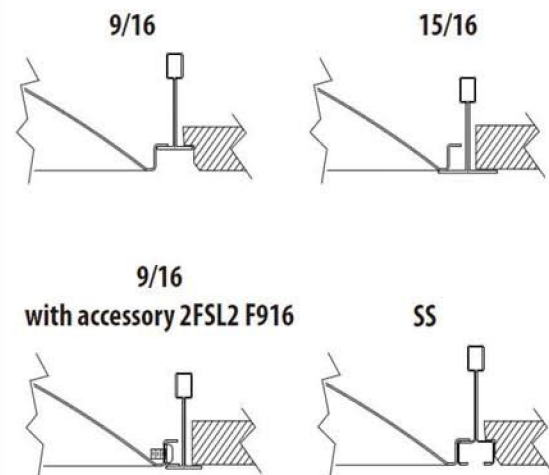
LEDDBM2	22	HL	YY	DM	4000K
Series	Size	Lumen Package	Wattage	Dimming	CCT
Direct/Indirect Type 02	2'x2'	LW=LIN-1300LM HL=LIN-2200LM	34W	0-10V	3000K 3500K 4000K 5000K



## Dimension

Model	Lenth	Width	Depth
LEDDBM2	23.78"	23.78"	2.9"
LEDDBM2	23.78"	23.78"	2.9"

## Installation



## Wiring Diagram

