



2X4 LED CENTER BASKET

Model# LEDCBM4

Description

The new 2x4 LED Center Basket fixture adopts the latest in optical and LED technology for use in many commercial applications. The LEDCBM4 provides a single pleasant volumetric soft light that fills any interior space, giving it a larger, brighter, and more productive ambiance. The delivered comfortable and evenly distributed light eliminates surface shadows and ensures a glare-free environment perfect for offices, schools, multipurpose rooms, hospitals and most interior spaces.

Specification

Model	Input Power (w)	Luminus (lm)	Efficacy (lm/w)	Input Voltage (v)	Dimming
LEDCBM4	68	7722	117	120-277	0-10V
LEDCBM4	60	7000	125	120-277	0-10V
LEDCBM4	50	5796	126	120-277	0-10V
LEDCBM4	42	4665	116	120-277	0-10V
LEDCBM4	36	4280	125	120-277	0-10V

Performance Summary

Efficacy:>110LPW

Chip: LGIT 5630HE

CRI: Ra>80

CCT Options: 3000K, 3500K, 4000K, 5000K

Driver: Dimmable LED power supplies

THD:<20%

PF:>0.9

The Driver ensures steady performance and long lifetime

Driver efficiency>85%

Temperature Limited:The product has applied for a Type TL LED driver

Standard Lifetime:Designed minimum 50,000 hours

Mounting: Recessed lighting fixture

Standard Warranty: 5 Years

The Dimming type is continous,The product can dim to 10%

Suitable for Damp Location,Type IC

Order Information

Example: LEDCBM4

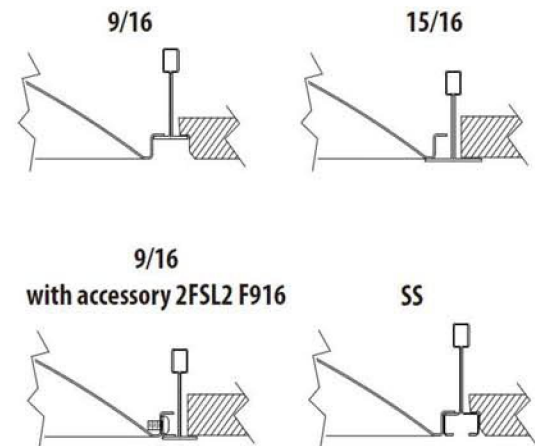
LEDCBM4	24	HL	68	DM	4000K
Series	Size	Lumen Package	Wattage	Dimming	CCT
Direct/Indirect Type 03	2'x4'	LW=LIN-1300LM HL=LIN-2200LM	68W	0-10V	3000K 3500K 4000K 5000K



Dimension

Model	Lenth	Width	Depth
LEDCBM4	47.71"	23.78"	2.7"
LEDCBM4	47.71"	23.78"	2.7"

Installation



Wiring Diagram

