



# 2X2 LED CENTER BASKET

Model# LEDCBM2

## Description

The new 2x2 LED Center Basket fixture adopts the latest in optical and LED technology for use in many commercial applications. The LEDCBM2 provides a single pleasant volumetric soft light that fills any interior space, giving it a larger, brighter, and more productive ambiance. The delivered comfortable and evenly distributed light eliminates surface shadows and ensures a glare-free environment perfect for offices, schools, multipurpose rooms, hospitals and most interior spaces.

## Specification

Model	Input Power (w)	Luminus (lm)	Efficacy (lm/w)	Input Voltage (v)	Dimming
LEDCBM2	34	3876	114	120-277	0-10V
LEDCBM2	30	3600	120	120-277	0-10V
LEDCBM2	26	3275	125	120-277	0-10V
LEDCBM2	24	2596	118	120-277	0-10V
LEDCBM2	18	2140	126	120-277	0-10V

## Performance Summary

- Efficacy:>110LPW
- Chip: LGIT 5630HE
- CRI: Ra>80
- CCT Options: 3000K, 3500K, 4000K, 5000K
- Driver: Dimmable LED power supplies
- THD:<20%
- PF:>0.9
- The Driver ensures steady performance and long lifetime
- Driver efficiency>85%
- Temperature Limited:The product has applied for a type TL LED driver
- Standard Lifetime:Designed minimum 50,000 hours
- Mounting: Recessed lighting fixture
- Standard Warranty: 5 Years
- The Dimming type is continous,The product can dim to 10%
- Suitable for Damp Location,Type IC

## Order Information

Example:LEDCBM2

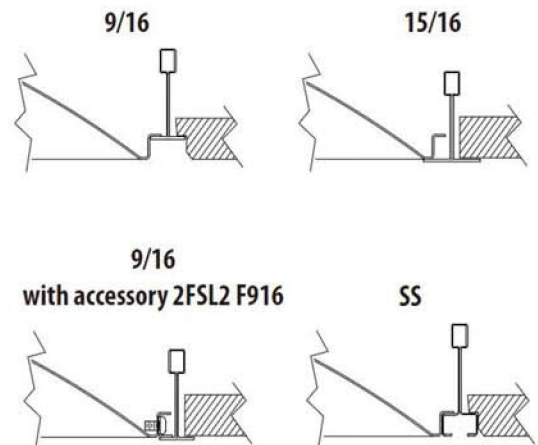
LEDCBM2	22	HL	34	DM	4000K
Series	Size	Lumen Package	Wattage	Dimming	CCT
Direct/Indirect Type 03	2'x2'	LW=LIN-1300LM HL=LIN-2200LM	34W	0-10V	3000K 3500K 4000K 5000K



## Dimension

Model	Length	Width	Depth
LEDCBM2	23.78"	23.78"	2.7"
LEDCBM2	23.78"	23.78"	2.7"

## Installation



## Wiring Diagram

