

### NEUTRON

Surface Ceiling Mount Wraparound Luminaire

#### FEATURES

Shallow design.

Clear acrylic diffuser with prismatic bottom and ribbed linear sides.

Diffuser, self aligns and hinges from either side for easy maintenance.

Available with 2 or 4 lamps.

Easy re-lamping and re-ballasting.

Continuous row mounting capability.

Steel housing and ends with white enamel finish.



#### APPLICATIONS

Retail Stores  
Office Areas  
Class Rooms  
Stairwells  
Corridors  
Kitchen  
Utility Area

#### APPLICATION FEATURES

Mid-grade, shallow, surface mounted wraparound luminaire with low brightness linear sides. For use in indoor applications where low glare and ease of installation are required. Sleek modern styling.

#### CONSTRUCTION

Die formed, 22 gauge pre-painted high reflectance white steel housing. Die formed and embossed, 22 gauge pre-painted high reflectance white steel end caps. Inspection knockouts provided on 4' units, for mounting to junction box. Ballast cover snaps into place eliminating the need for tools when accessing the ballast. Diffuser hinges from either side in a lift and shift manner and is self centering. End caps may be butted together for continuous row mounting. Knockouts are provided for flexible conduit attachment.

#### MOUNTING

Mounts over electrical junction box. Offset mounting pads which keeps luminaire level and slightly off of mounting surface, are formed within the housing. Mounting holes are provided within offset to prevent distortion of housing when tightening mounting fasteners. Knock-outs are provided for stem mounting.

#### FINISH

Pre-painted high reflectance white.

#### OPTICS

Wrap-around, extruded clear acrylic diffuser with prismatic bottom and ribbed linear sides, designed for high efficiency and visual comfort.

#### ELECTRICAL

All electrical components are UL listed or CSA approved Ballasts and lamp holders are replaceable without removing the luminaire from the mounting surface. Standard ballasts are electro-magnetic, energy saving where required. See product selection for optional ballasts. The standard voltage is 120V, 60 Hz, or as specified. Sufficient knockouts are provided on the back and ends for connections and through wiring.

#### APPROVALS

Approved to CSA and UL standards. (UL, or equivalent, marked only when specified.)

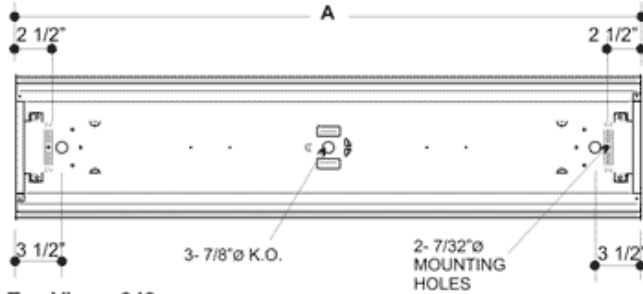
#### OPTIONS

- Electronic ballasts and dimming ballasts, see Product Selection.
- VF1- 95% reflectance, specular anodized aluminum reflector.
- Black.

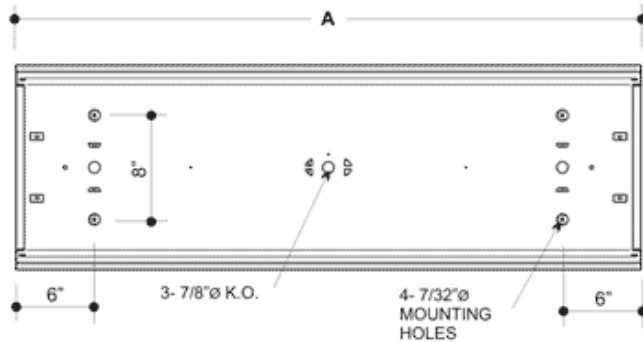
#### OPTIONAL ADDERS

- Joiner band.
- Stem and canopy sets.
- Speedy hangers.

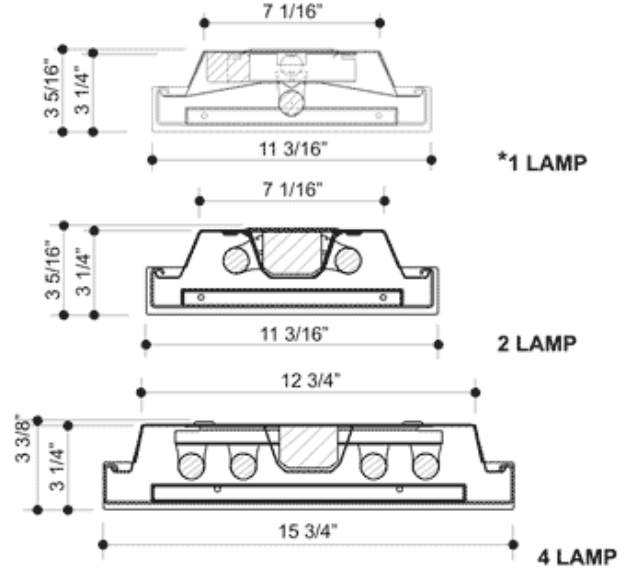
### PRODUCT DIMENSIONS



Top View - 248



Top View - 448



Cross Sections

MODEL			LENGTH
CROSS SECTION			
* 1 LAMP	2 LAMP	4 LAMP	A (in)
124	224	424	24
136	236	436	36
148	248	448	48
148/2	248/2	448/2	96
196	296	496	96

\*Available only with shallow electronic ballast.

\* Available only with shallow electronic ballast.

### PRODUCT KEY

NE	2	48	-	T8	32	P	120	-	Options
----	---	----	---	----	----	---	-----	---	---------

**No. Of Lamps**  
Typical Number of lamps in Cross Section

1  
2  
4

**Nom. Length (in.)**

24  
36  
48  
96

**Lamp Watts**  
See table below

**Lamp Type**

T8  
T8HO  
T8VHO

**Ballast Type**

N - Instant Start  
P - Prog. Start  
R - Rapid Start

**Tandem**

(Blank) - N/A  
/2 - Single Housing  
T2 - Two Disjointed Housings

**Voltage**

120 - 120V  
240 - 240V  
277 - 277V  
347 - 347V  
600 - 600V  
UNV - 120-277V  
UN2 - 277-347V  
UN4 - 347-480V

**Ballast Options**

B01 Ballast Disconnect - In-line Power Disconnect (CSA-UL Req'd For Voltages above 150v)

B02 Dimming Addressable Digital (dali)

B03 Dimming Low Voltage

B04 Dimming Line Voltage

B05 Frequency Universal DC-60hz

B06 Low Temperature

B08 Ballast - High Ballast Factor

B09 Ballast - Low Ballast Factor

**Housing Construction Options**

C06 Housing 20 Gauge Riveted

**Finish Options (white is standard)**

F01 Black

**Lampholder Options**

H4 Lampholder Rotary Lock

**Packaging Options (select one only)**

K0 Pack Bulk

**Mounting Options (select one only)**

M15 Mounting Joiner Band

M23 Mounting Speedy Hangers

M30 Mounting Suspension Set (speedy hangers with 48-in chains)

M33 Mounting Stem & Canopy Set 1/2" IP (3/4" OD) (specify length (xx) 6" increments)

M34 Mounting Stem & Canopy Set For Sloped Ceilings 1/2" IP (3/4" OD) (specify length (xx) 6" increments)

**Reflector Options**

VF1 Reflector VF1 Solid Full (95% Reflectance) Specular

**Approval and Rating Options**

X6 USA Market

Length	Nominal Lamp Watts		
	T8	T8HO	T8VHO
24	17	-	-
36	25	-	-
48	32	44	84
96	59	86	-