

DEEP CELL MAYFAIR RECESSED

Recessed Deep Cell Parabolic Drywall Luminaire

FEATURES

Press fit end flanges remove to allow for continuous row mounting.

Deep cell aluminum parabolic louver (Nominal 3")

Louver manufactured from low iridescent anodized aluminum.

Hinges either side. Die formed steel T-hinges.

Positive locking, cam action latches. Matching finish.

Swing arm mounting brackets.

Black reveal.



APPLICATIONS

Office Areas
Retail Stores
Hospital

APPLICATION FEATURES

Mid-level, specification grade, recessed drywall luminaire, high performance, deep cell parabolic troffer designed for maximum efficiency and visual comfort. Available in 2'x2', 2'x4', and 1'x4' configurations. Available with various lamp and parabolic cell configurations. For use in indoor applications.

CONSTRUCTION

Die formed, code gauge pre-painted white cold rolled steel housing. Die formed, cold rolled steel reveal. Precision formed, anodized no. 603 semi-specular aluminum, louver. Standard nominal 3" deep cell louvers are 2 13/16" deep and are manufactured using interlocked construction and mitred corners. Ballast cover snaps into place eliminating the need for tools when accessing the ballast. A protective film or bag is provided to protect the louver and fixture from construction dust. Louver hinges from either side using die formed steel T-hinges. Latches use a positive locking cam action and come with matching finish.

MOUNTING

Swing arm mounting brackets, with vertical adjustability, are used to mount the fixture against the ceiling.

FINISH

Pre-painted high reflectance white housing components. Powder painted black. reveal.

OPTICS

Standard nominal 3" deep cell louvers are made with a semi-specular silver finish. Optional louver finishes in champagne, gold, and white are available also in full specular and low iridescent material. Optional VF-1 reflectors are available. VF-1 reflectors are made of specular PVD aluminum, colourfree with a minimum reflectivity of 95%. Optional overlays are manufactured from a high translucence, extruded white acrylic.

ELECTRICAL

All electrical components are UL listed or CSA approved See product selection for optional ballasts. Sufficient knockouts are provided for connections and through wiring.

APPROVALS

Approved to CSA and UL standards. (UL, or equivalent, marked only when specified.)

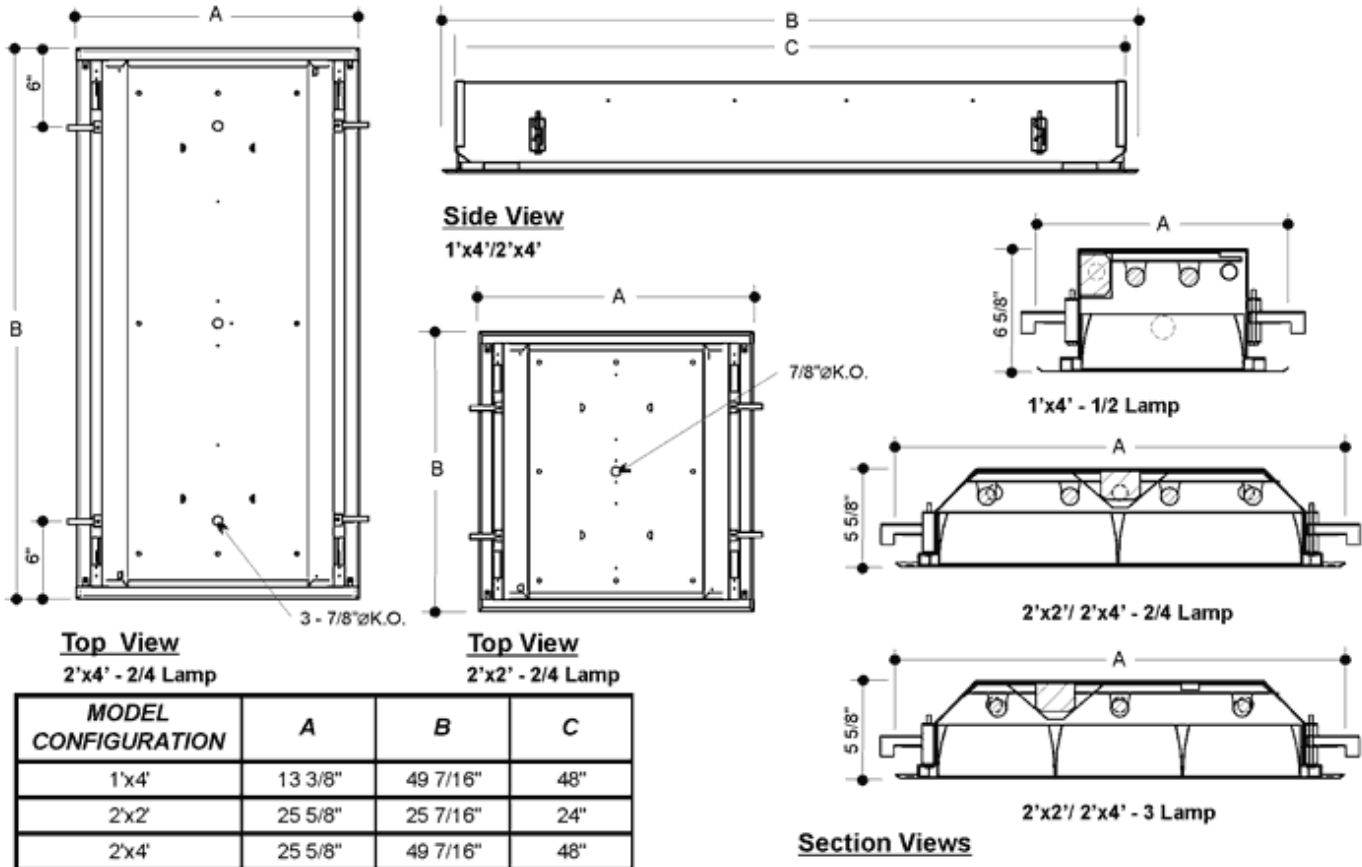
OPTIONS

- Electronic ballasts and dimming ballasts, see Product Selection.
- 20 gauge riveted construction.
- Polycarbonate rotary lock lampholders.
- Louver configurations, depths and finishes. See Product Selection.
- VF1- 95% reflectance, specular anodized aluminum reflector.
- Air Handling.
- White reveal.
- Powder painted finish.
- Spring loaded cam latches.
- No cartons - Bulk packed and wrapped on pallets.

OPTIONAL ADDERS

- Emergency lighting power pack.
- Extra ballast cover (for symmetry).
- Acrylic translucent overlay.
- Fuse holder.
- Radio interference filter.

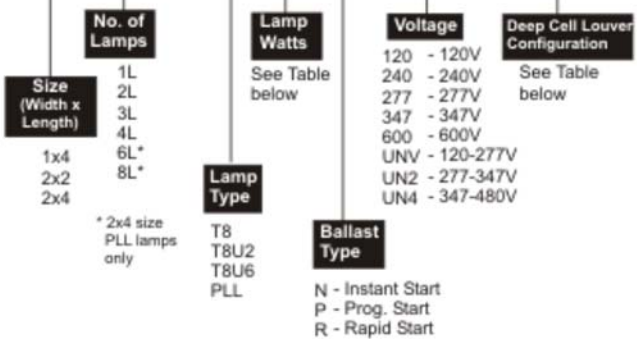
PRODUCT DIMENSIONS



MODEL CONFIGURATION	A	B	C
1'x4'	13 3/8"	49 7/16"	48"
2'x2'	25 5/8"	25 7/16"	24"
2'x4'	25 5/8"	49 7/16"	48"

PRODUCT KEY

DCMAYR 2x4 2L - T8 32 P 120 - 2x6 - Options



Lamp Watts

Size	Nom. Lamp Watts			
	T8	T8U2	T8U6	PLL/ Blax
1x4	32 (1 or 2 lamps)	31 (2 or 4 lamps)	32 (2 lamps)	40, 50, 55 (2 or 4 lamps)
2x2	17 (2, 3 or 4 lamps)	31 (2, or 4 lamps)	32 (1 or 2 lamps)	40, 50, 55 (2, 3 or 4 lamps)
2x4	32 (2, 3, 4 lamps)	31 (4, 6, or 8 lamps)	32 (2 or 4 lamps)	40, 50, 55 (4, 6, or 8 lamps)

Deep Cell Louver Configurations

Size	Total Cells							
	6	8	9	12	16	18	24	32
1x4	1x6	1x8	1x9	-	2x8	2x9	-	-
2x2	-	-	3x3	-	4x4	-	-	-
2x4	-	-	-	2x6	-	3x6	4x6 3x8	4x8

Air Handling Options

- A1 Air Supply/Return Slots
- A2 Air Heat Removal Vents

Ballast Options

- B01 Ballast Disconnect - In-line Power Disconnect (CSA-UL Req'd For Voltages above 150v)
- B02 Dimming Addressable Digital (dali)
- B03 Dimming Low Voltage
- B04 Dimming Line Voltage
- B05 Frequency Universal DC-60hz
- B06 Low Temperature
- B08 Ballast - High Ballast Factor
- B09 Ballast - Low Ballast Factor
- B10 Remote Ballast Box
- B30 Emergency USA Lighting Battery Pack 1-lamp 3000 Lumen
- B31 Emergency CDN Lighting Battery Pack 1-lamp
- B32 Emergency CDN Lighting Battery Pack 2-lamp
- B33 Emergency USA Lighting Battery Pack 1-lamp
- B34 Emergency USA Lighting Battery Pack 2-lamp

Housing Construction Options

- C01 Extra Ballast Cover
- C06 Housing 20 Gauge Riveted
- C15 Latches Spring Loaded
- C23 White Reveal (black is standard)

Finish Options

- F02 Post Powder Painted (White)

Lampholder Options

- H4 Lampholder Rotary Lock
- H6 Lampholder Locking Blax

Packaging Options

- K0 Pack Bulk

Louver Options (Semi-specular clear aluminum 2-11/16-inch depth standard)

- L06 Deep Cell Louver Finish Specular Clear Aluminum
- L07 Deep Cell Louver Finish Specular Gold
- L08 Deep Cell Louver Finish Semi-specular Gold
- L09 Deep Cell Louver Depth 3-inch
- L10 Deep Cell Louver Depth 1-3/8-inch
- L24 Louver White

Lens and Shielding Options

- P02 Lens Acrylic Overlay

Fusing and Breaker Options (select one only)

- T5 Fuseholder, In-line Double Pole
- T6 Fuseholder, In-line Single Pole

Wiring Options

- V05 Cord And Plug Set Three Wire (standard 10' X 3-18 Ga.)
- V08 Flexible Cord Feed (single Circuit Cord)
- V09 Flexible Whip (standard 6' X 3-18 Ga.)
- V17 Master / Slave Wiring Master Unit (contains Ballasts)
- V18 Master / Slave Wiring Slave Unit (contains No Ballast)
- V19 Modular Wiring System. (consult Factory.)
- V25 Radio Frequency Filter

Reflector Options

- VF1 Reflector VF1 Specular (95% Reflectance) Aluminum

Approval and Rating Options

- X6 USA Market

Lamp Options

- Z1 Lamps installed (specify type)